





# INOX - 664




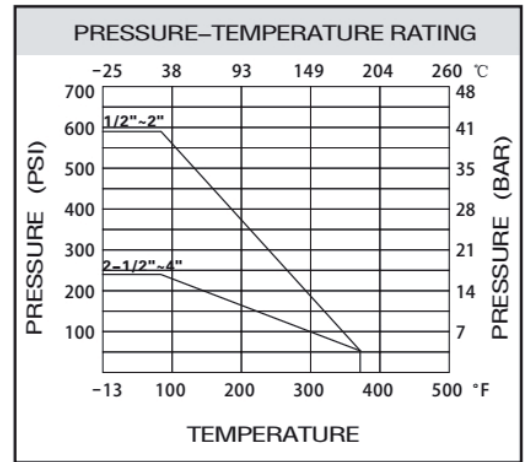
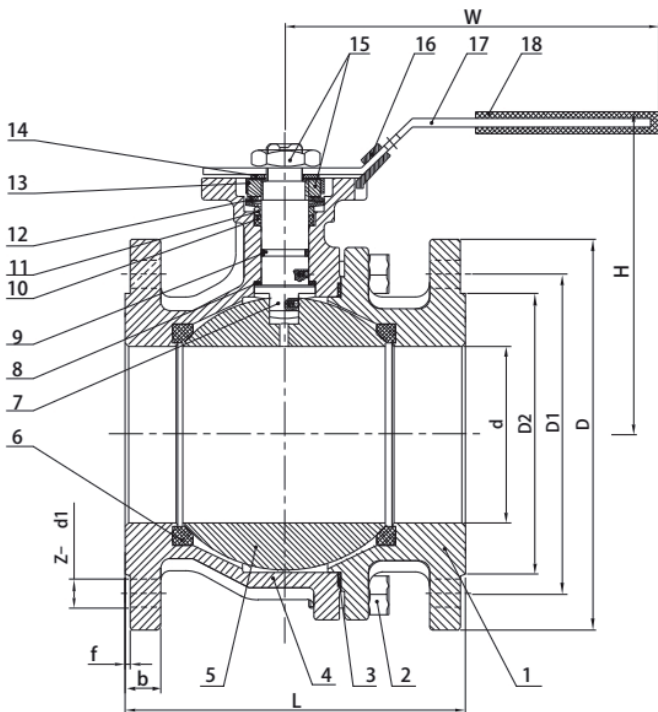
 Valvola a sfera in due pezzi in acciaio inox AISI 316  
- attacchi flangiati - flangia ISO 5211

 Two-piece ball valve in stainless steel AISI 316 -  
flanged connections - ISO 5211 flange

 Zweiteiliger Kugelhahn aus rostfreiem Stahl AISI 316  
mit Flanschanschlüssen - Flansche ISO 5211

 Vanne à boisseau sphérique à deux pièces en acier inox AISI 316  
- fixations bridées - bride ISO 5211

 Двухсоставной полнопроходной шаровой кран из  
нержавеющей стали AISI 316 - фланцевые соединения -  
фланец ISO 5211



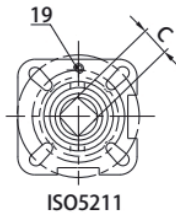
## MATERIAL LIST

ITEM	PART	MATERIAL	QTY
1	Cap	CF8M	1
2	Bolt	SS304	4 (8)
3	Body Gasket	PTFE	1
4	Body	CF8M	1
5	Ball	SS316	1
6	Ball Seat	R-PTFE (15%)	2
7	Stem	SS316	1
8	Thrust Washer	PTFE	1
9	O-ring	VITON	1
10	Stem Packing	PTFE	1
11	Packing Ring	SS304	1
12	Belleville Washer	SS301	2
13	Nut Stopper	SS304	1
14	Plate Washer	SS304	1
15	Nut	SS304	2
16	Lock Device	SS304	1
17	Handle	SS304	1
18	Plastic Cover	Plastic	1
19	Stop Pin	SS304	1

Size   
DN15-DN100 16 bar

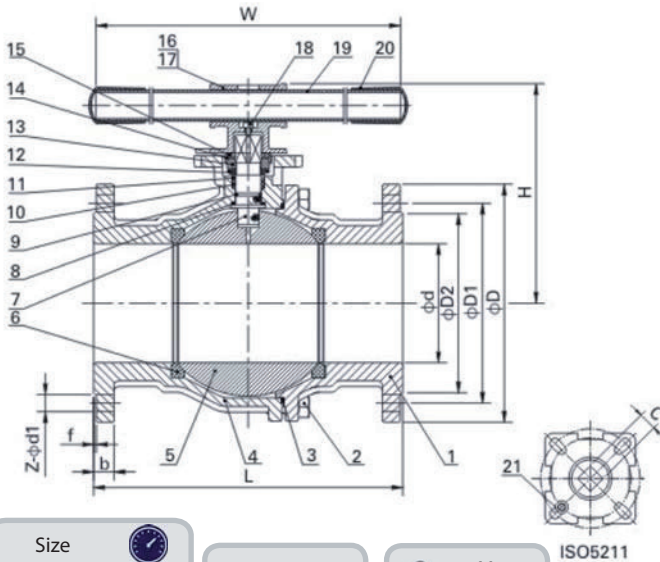
Estremità flangiate  
Flanged ends  
UNI-EN 1092 PN16

Max  
+180° C  
Min  
-25 C



## DIMENSION LIST

SIZE	d	L	D	D1	D2	b	f	H	W	C	ISO5211	Z-Ød1	N·m	Kgs
DN15	15	115	95	65	45	16	2	82	117	9	F03/F04	4-Ø14	5	2.08
DN20	20	120	105	75	58	18	2	87	117	9	F03/F04	4-Ø14	8	2.80
DN25	25	125	115	85	68	18	2	90	164	11	F04/F05	4-Ø14	10	3.73
DN32	32	130	140	100	78	18	2	100	164	11	F04/F05	4-Ø18	14	5.18
DN40	38	140	150	110	88	18	3	116	203	14	F05/F07	4-Ø18	18	6.56
DN50	50	150	165	125	102	20	3	125	203	14	F05/F07	4-Ø18	25	8.90
DN65	65	170	185	145	122	18	3	154	255	17	F07/F10	4-Ø18	48	13.40
DN80	76	180	200	160	138	20	3	164	255	17	F07/F10	8-Ø18	75	18.20
DN100	94	190	220	180	158	20	3	180	302	17	F07/F10	8-Ø18	110	25.70



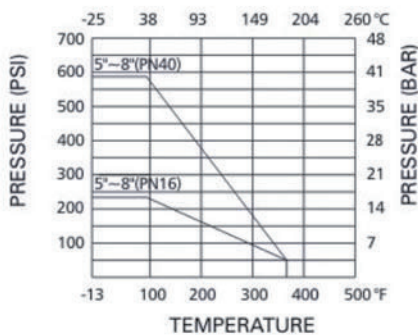
Size DN125 - DN200 16 bar

Estremità flangiate  
Flanged ends  
UNI-EN 1092 PN16

Max +180° C  
Min -25 C

ISO5211

PRESSURE-TEMPERATURE RATING



## MATERIAL LIST

ITEM	PART	MATERIAL	QTY.
1	Cap	CF8M	1
2	Bolt	SS304	8
3	Body Gasket	PTFE	1
4	Body	CF8M	1
5	Ball	SS316	1
6	Ball Seat	R-PTFE (15% )	2
7	Stem	SS316	1
8	Thrust Washer	PTFE	1
9	O- Ring	VITON	1
10	Stem Packing	PTFE	1
11	Stem Ring	SS316	1
12	Belleville Washer	SS301	2
13	Nut	SS304	1
14	Nut Stopper	SS304	1
15	Plate Washer	SS304	1
16	Jack Screw	SS304	1
17	Handle Head	CF8	1
18	Handle Bolt	SS304	1
19	Handle	SS304	1
20	Plastic Cover	PLASTIC	2
21	Stop Pin	SS304	1

## DIMENSION LIST

SIZE	PN	d	L	D	D1	D2	b	f	H	W	C	ISO5211	Z-φd1	N-m
DN125	10/16	125	325	250	210	188	22	3	260	600	22	F10/F12	8-φ18	200
	270			220	8-φ26									
DN150	10/16	150	350	285	240	212	22	3	278	600	22	F10/F12	8-φ22	300
	300			250	218								28	
DN200	16	200	400	340	295	268	24	3	340	800	27	F12/F14	12-φ22	400
	40			375	320								285	