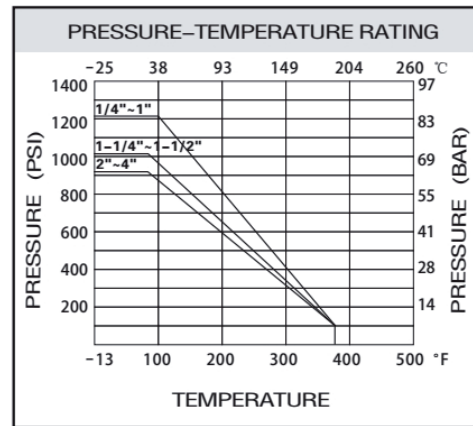
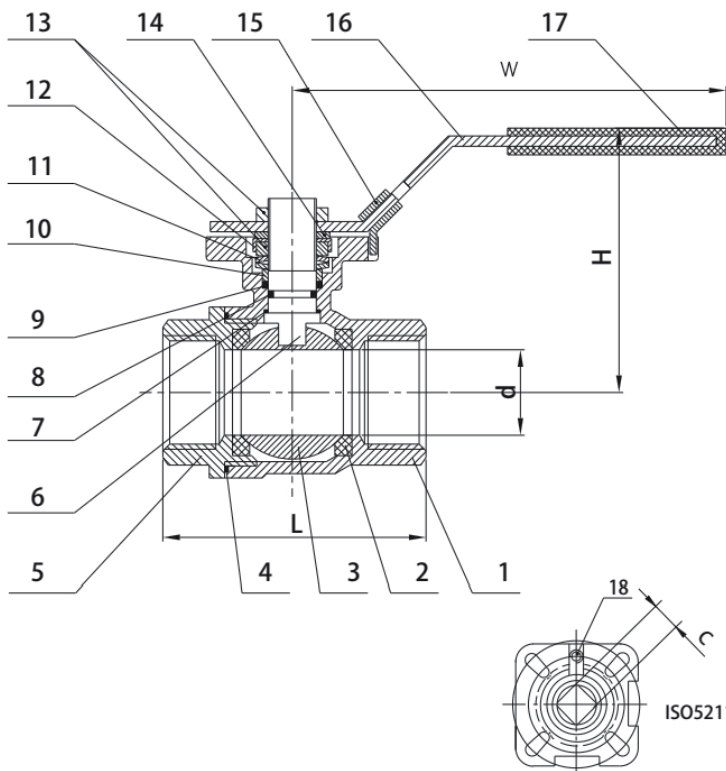


# E-662

- Valvola a sfera a passaggio totale in acciaio inox AISI 316  
- attacchi F/F - Flangia ISO 5211
- Full bore ball valve in stainless steel AISI 316  
- F/F - Flange ISO 5211
- Kugelhahn mit vollem Durchgang aus rostfreiem Stahl  
AISI 316 - IG/IG - Flansche ISO 5211
- Vanne à boisseau sphérique avec passage total en acier  
inox AISI 316 - F/F - Bride ISO 5211

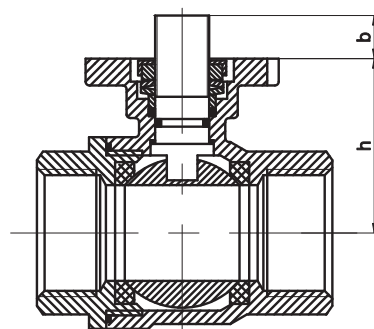


## MATERIAL LIST

| ITEM | PART              | MATERIAL     | QTY |
|------|-------------------|--------------|-----|
| 1    | Body              | CF8M         | 1   |
| 2    | Ball Seat         | R-PTFE (15%) | 2   |
| 3    | Ball              | SS316        | 1   |
| 4    | Body Gasket       | PTFE         | 1   |
| 5    | Cap               | CF8M         | 1   |
| 6    | Stem              | SS316        | 1   |
| 7    | Thrust Washer     | PTFE         | 1   |
| 8    | O-ring            | VITON        | 1   |
| 9    | Stem Packing      | PTFE         | 1   |
| 10   | Packing Ring      | SS304        | 1   |
| 11   | Belleville Washer | SS301        | 2   |
| 12   | Nut Stopper       | SS304        | 1   |
| 13   | Nut               | SS304        | 2   |
| 14   | Plate Washer      | SS304        | 1   |
| 15   | Lock Device       | SS304        | 1   |
| 16   | Handle            | SS304        | 1   |
| 17   | Plastic Cover     | Plastic      | 1   |
| 18   | Stop Pin          | SS304        | 1   |

## DIMENSION LIST

| SIZE   | d    | L   | H   | W   | C  | ISO5211 | N · m | Kgs   |
|--------|------|-----|-----|-----|----|---------|-------|-------|
| 1/4"   | 11.5 | 56  | 65  | 115 | 9  | F03     | 5     | 0.37  |
| 3/8"   | 12.5 | 56  | 65  | 115 | 9  | F03     | 5     | 0.35  |
| 1/2"   | 15   | 57  | 65  | 117 | 9  | F03/F04 | 5     | 0.37  |
| 3/4"   | 20   | 64  | 70  | 117 | 9  | F03/F04 | 8     | 0.49  |
| 1"     | 25   | 77  | 75  | 134 | 11 | F04/F05 | 10    | 0.74  |
| 1-1/4" | 32   | 90  | 85  | 134 | 11 | F04/F05 | 14    | 1.18  |
| 1-1/2" | 40   | 105 | 95  | 203 | 14 | F05/F07 | 18    | 1.94  |
| 2"     | 50   | 125 | 105 | 203 | 14 | F05/F07 | 25    | 2.90  |
| 2-1/2" | 65   | 153 | 140 | 255 | 17 | F07/F10 | 48    | 5.77  |
| 3"     | 76   | 172 | 145 | 255 | 17 | F07/F10 | 75    | 8.45  |
| 4"     | 94   | 221 | 175 | 302 | 17 | F07/F10 | 110   | 15.60 |



| DN     | h    | b    |
|--------|------|------|
| 1/4"   | 37   | 8.7  |
| 3/8"   | 37   | 8.7  |
| 1/2"   | 37   | 8.7  |
| 3/4"   | 42.2 | 8.8  |
| 1"     | 45.5 | 10.7 |
| 1-1/4" | 54   | 10.5 |
| 1-1/2" | 59.5 | 14   |
| 2"     | 67.5 | 13.5 |
| 2-1/2" | 93   | 18.5 |
| 3"     | 109  | 17.5 |
| 4"     | 121  | 20.5 |

Size

|                 |        |
|-----------------|--------|
| 1/4" - 1"       | 84 bar |
| 1 1/4" - 1 1/2" | 70 bar |
| 2" - 4"         | 63 bar |

Max  
+180 °C

Min  
-25 °C

Estremità filettate  
UNI ISO 228