

INOX - 144 L - 145 T

Valvola a sfera in acciaio inox AISI 316 tre vie passaggio ridotto - Sfera forata L (144) - Sfera forata T (IVR145) - Attacchi F/F/F - Flangia ISO 5211

Impieghi: impianti industriali, chimici ed alimentari.

Three ways reduced bore ball valve in stainless steel AISI 316 - Bored ball as L (IVR144) - Bored ball as T (IVR145) - threaded ends F/F/F - ISO 5211 flange

Application: industrial, chemical and food plants.

3-Wege-Kugelhahn aus Edenstahl AISI 316 mit reduziertem Durchgang, Kugel mit L-Bohrung (144) – Kugel mit T-Bohrung (145) – alle Anschlüsse mit Innengewinde – Flansch ISO 5211

Anwendung: Industrie-Lebensmittel-und chemischen Anlagen.

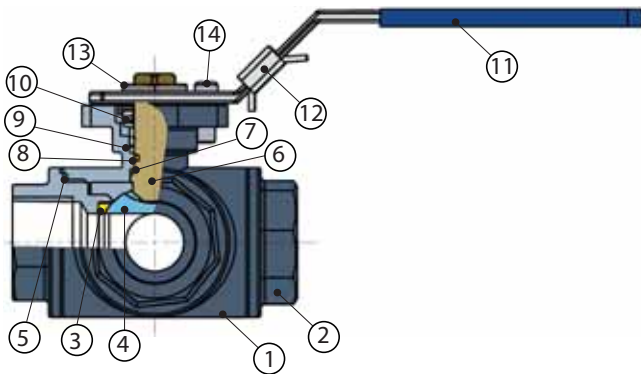
Vanne à boisseau sphérique en acier inox AISI 316 trois voies passage réduit – Sphère percée en L (IVR144) - Sphère percée en T (IVR145) -Fixations F/F/F – Bride ISO 5211

Application: Installations industrielles, chimiques et alimentaires.

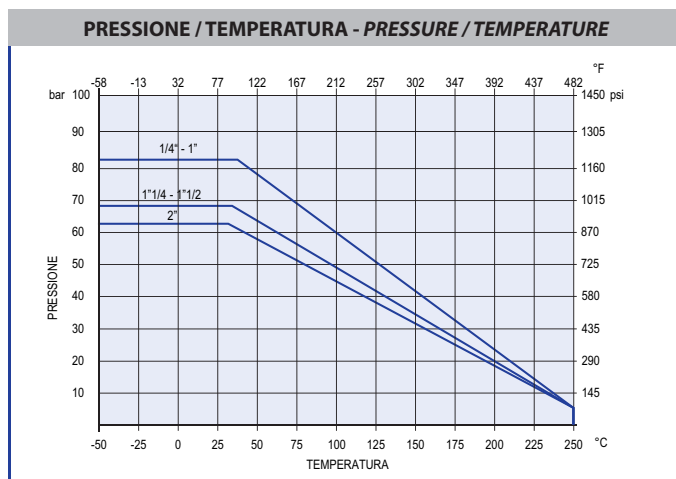
Трёхходовой шаровой кран из нержавеющей стали AISI 316 с редуцированным проходом – L_образный шар (144) - T_образный шар (145).

Резьбовые соединения В-В- В- В- Фланец ISO 5211.

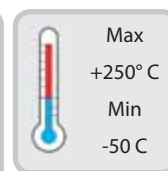
Сфера применения: индустриальные системы, химическая и пищевая промышленность.



N	DENOMINAZIONE PART NAME	MATERIALE MATERIAL	TRATTAMENTO TREATMENT
1	Corpo - Body	AISI 316	
2	Manicotto - Body end	AISI 316	
3	Seggio - Seat	PPL	
4	Sfera - Ball	AISI 316	
5	Guarnizione - Gasket	PPL	
6	Asta - Stem	AISI 316	
7	Guarnizione - Gasket	PPL	
8	O-Ring - O-Ring	FP	
9	Guarnizione asta - Stem packing	PPL	
10	Premistoppa - Packing nut	AISI 316	
11	Maniglia - Handle	AISI 304	Rivest. PVC - Plastic coated
12	Bloccaggio - Locking	AISI 304	
13	Dado - Nut	AISI 304	
14	Fermo - Stop pin	AISI 304	



Size	
1/4" - 1"	83 bar
1 1/4" - 1 1/2"	69 bar
2"	63 bar

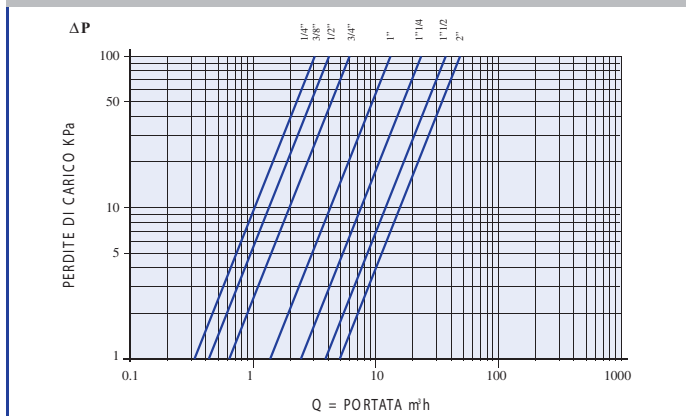


Estremità filettate
UNI-ISO 228/1

Asta antisceppio
Anti blow-out stem



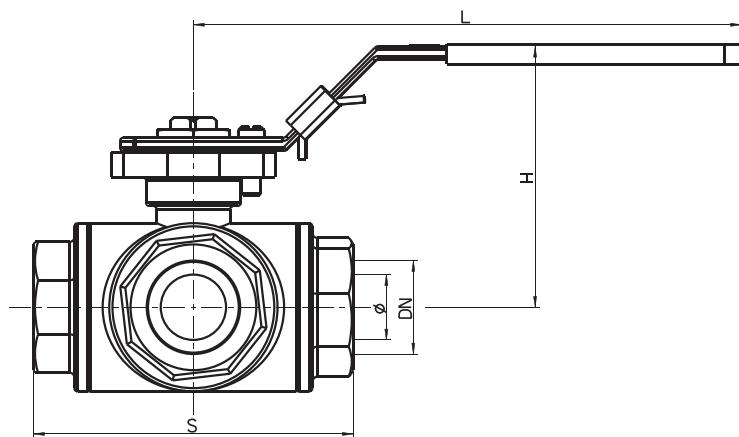
PERDITE DI CARICO - FLOW AND PRESSURE DROPS



Misura - Size	KV
1/4" - 9.5	3
3/8" - 11	3
1/2" - 12	4
3/4" - 15	6
1" - 20	12
1 1/4" - 25	21
1 1/2" - 32	35
2" - 40	47

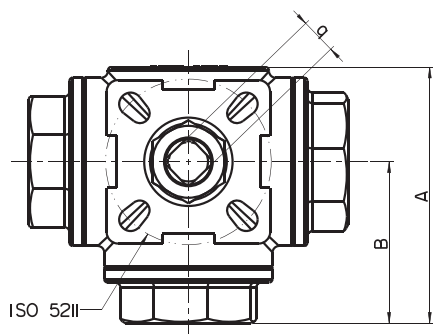
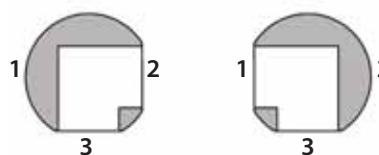
DIMENSIONI - DIMENSIONS (mm)

DN	Ø	S	H	L	A	B	ISO 5211	□q
1/4"	9.5	75	66	130	57.5	37.5	F03/F04	9
3/8"	11	75	66	130	57.5	37.5	F03/F04	9
1/2"	12	75	66	130	57.5	37.5	F03/F04	9
3/4"	15	85	72	161	65.5	42.5	F04/F05	11
1"	20	100	77	161	79	50	F04/F05	11
1 1/4"	25	122	92	203	97	61	F05/F07	14
1 1/2"	32	131	96	203	106.5	65.5	F05/F07	14
2"	40	158	107	203	129	79	F05/F07	14



Schema di manovra 144 L
Operation draft 144 L

L1



Schema di manovra 145 T
Operation draft 145 T

T1

T2

